

## VB-XX

### FULL PORT BRASS BALL VALVES | FEMALE NPT

#### SPECIFICATION'S

- WOG Rated
- Full Port Ball Valve
- Forged Brass Body
- Thread Conforms to ANSI B1.20.1
- Blow Out Proof Stem Design
- Packing Nut & O-Ring

#### PERFORMANCE RATING

- Max Working Pressure 600psi
- Temperature Range : -20° F to 300° F

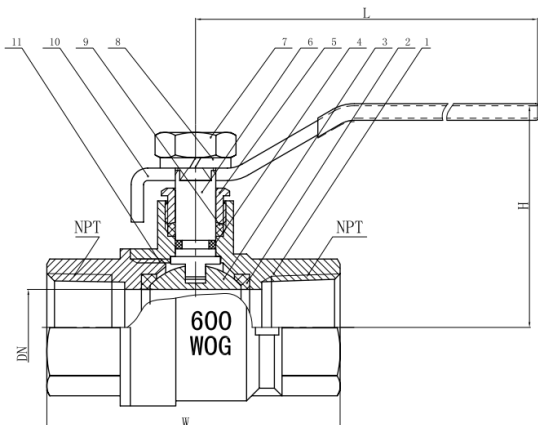


#### MATERIAL

NO.	ITEM	TOTAL	MATERIAL
11	CAP	1	LEAD FREE BRASS/BRASS
10	HANDLE	1	PLATED STEEL
9	PACKING	1	PTFE
8	LOCK WASHER	1	PLATED STEEL
7	HANDLE NUT	1	PLATED STEEL
6	STEM	1	BRASS (1/4" - 2")
	STEM	1	STAINLESS STEEL (2 1/2" - 4")
5	PACKING NUT	1	BRASS
4	O-RING	1	NBR
3	BALL	1	STAINLESS STEEL (1/4" - 4")
2	SEAT	2	PTFE
1	BODY	1	LEAD FREE BRASS/BRASS

#### DIMENSIONS

NUVO PART No.	DN	W (REF)	H (REF)	L (REF)
VB-04	0.394	1.73	1.69	3.35
VB-06	0.394	1.73	1.69	3.35
VB-08	0.591	2.28	1.81	3.35
VB-12	0.750	2.52	2.09	4.29
VB-16	0.984	2.97	2.25	4.29
VB-20	1.259	3.44	2.52	5.63
VB-24	1.574	3.88	2.74	5.63
VB-32	1.941	4.30	3.03	5.63
VB-40	2.520	5.60	4.25	7.76
VB-48	2.874	6.34	4.84	8.37
VB-64	3.819	7.83	5.75	9.2



#### APPROVALS

CSA	1/4" -2" Per ANSI Z21.15/CSA 9.1 for 1/2 psig
	1/4"-2" Per ASME B16.44/CR91-002 for 5 psig
UL	1/4"-2" Per CGA3.16 for 125 psig
	1/2"-2" Per ASME B16.33 for 125 psig
	1/4"-2" UL 842(Guide YRBX,MHKZ)
	1/4"-2" UL 125(Guide YSDT,YRPV)
FM	1/4"-2" UL 1477(Guide YQNZ)
	1/4"2" Per ANSI Z21.15/CSA 9.1 for 1/2 psig
IAPMO	1/4"-2" Per FM1140 for 600psig
	1/4"-2" Per NSF/ANSI 61,NSF/ANSI 372,IAPMO Z1157